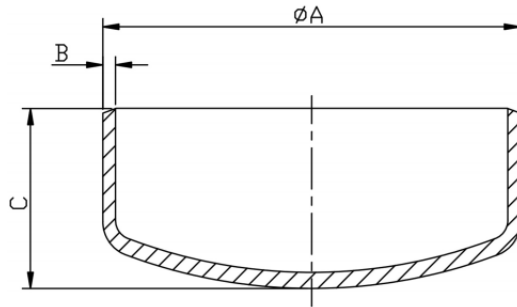




## Nominal Bore End Cap – Schedule 40



SIZE	A	B	C
½"	21.3	2.77	25.4
¾"	26.6	2.87	25.4
1"	33.4	3.38	38.1
1 ¼"	42.1	3.56	38.1
1 ½"	48.1	3.68	38.1
2"	60.3	3.91	38.1
2 ½"	73.0	5.16	50.4
3"	88.9	5.49	63.5
4"	114.3	6.02	76.2
5"	141.3	6.55	88.9
6"	168.3	7.11	101.6