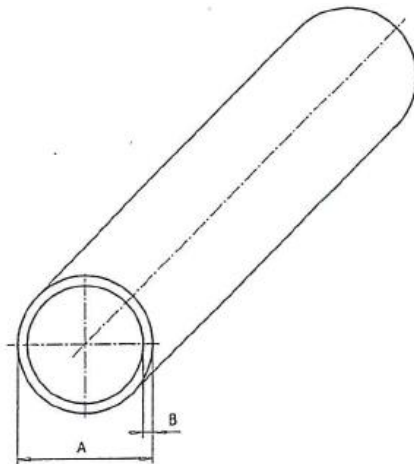




## Nominal Bore Pipe – Schedule 10

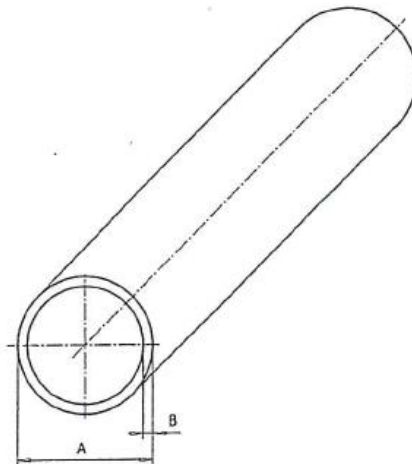


SIZE (NB)	A (MM)	B (MM)
1/2"	21.34	2.11
3/4"	26.67	2.11
1"	33.40	2.77
1 1/4"	42.16	2.77
1 1/2"	48.26	2.77
2"	60.33	2.77
2 1/2"	73.03	3.05
3"	88.90	3.05
4"	114.30	3.05
5"	141.30	3.40
6"	168.28	3.40
8"	219.08	3.76
10"	273.05	4.19

Please scroll down for Schedule 40



## Nominal Bore Pipe – Schedule 40



SIZE (NB)	A (MM)	B (MM)
1/8"	10.29	1.73
1/4"	13.72	2.24
3/8"	17.15	2.31
1/2"	21.34	2.77
3/4"	26.67	2.87
1"	33.40	3.38
1 1/4"	42.16	3.56
1 1/2"	48.26	3.68
2"	60.33	3.91
2 1/2"	73.03	5.16
3"	88.90	5.49
4"	114.30	6.02
5"	141.30	6.55
6"	168.28	7.11
8"	219.08	8.18