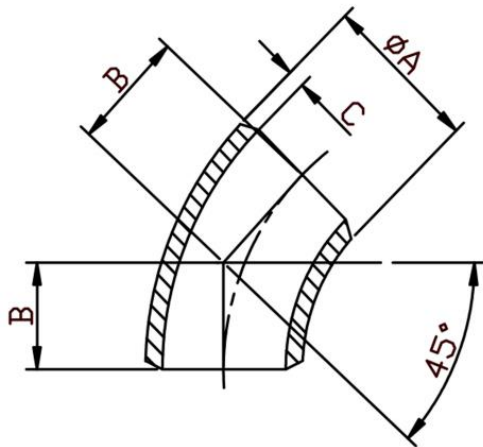




Nominal Bore 45 Degree Bend – Schedule 10



SIZE	A	B	C
½"	21.3	15.88	2.11
¾"	26.6	11.13	2.11
1"	33.4	22.23	2.77
1 ¼"	42.1	25.4	2.77
1 ½"	48.1	28.45	2.77
2"	60.3	35.05	2.77
2 ½"	73.0	44.45	3.05
3"	88.9	50.8	3.05
4"	114.3	63.5	3.05
5"	141.3	79.25	3.40
6"	168.3	95.25	3.40
8"	219.08	127.0	3.76
10"	273.0	159.0	4.19