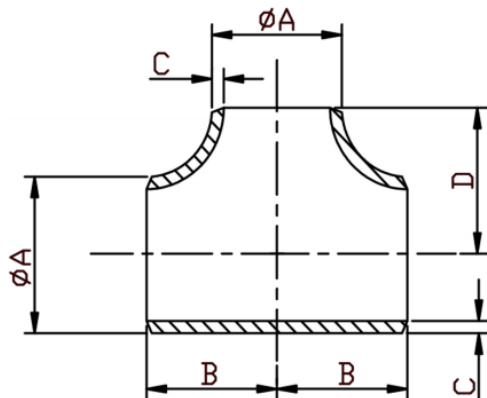




Nominal Bore Equal Tee – Schedule 40



SIZE	A	B/D	C
½"	21.3	25.4	2.77
¾"	26.6	28.7	2.87
1"	33.4	38.1	3.38
1 ¼"	42.1	47.75	3.56
1 ½"	48.1	57.15	3.68
2"	60.3	63.50	3.91
2 ½"	73.0	76.20	5.16
3"	88.9	85.85	5.49
4"	114.3	104.9	6.02
5"	141.3	124	6.55
6"	168.3	143	7.11

Telephone: (+44) 01384 424700

Email: sales@processflow.co.uk