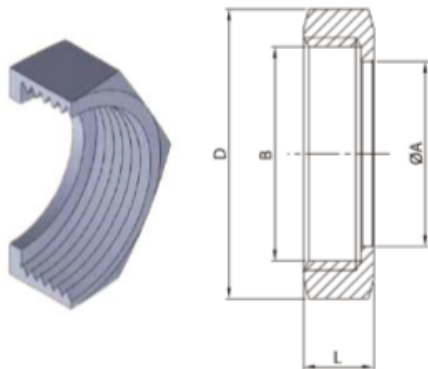




## RJT Nut



### RJT-13 NUT

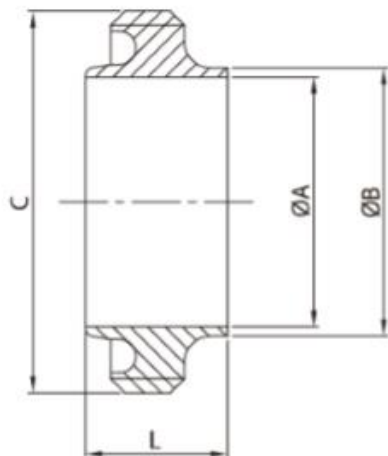
SIZE	ØA	B	ØC	D	L
1/2"	14.5	19.6 *10TP WHIT	—	28.5	16
3/4"	21	26.2 *10TP WHIT	—	33	16
1"	33.45	42.266*8TP WHIT	58.5	50.8	22.2
1.5"	46	54.966*8TP WHIT	74	65	22.2
2"	58.67	67.92 *6TP WHIT	85.5	79.4	22.2
2.5"	71.4	80.62 *6TP WHIT	98.5	92	22.2
3"	84.1	93.32 *6TP WHIT	111.6	104.8	22.2
4"	109.7	118.72*6TP WHIT	138	130	22.2
6"	163	169.52*6TP WHIT	197	184	24

Telephone: (+44) 01384 424700

Email: sales@processflow.co.uk



## RJT Male

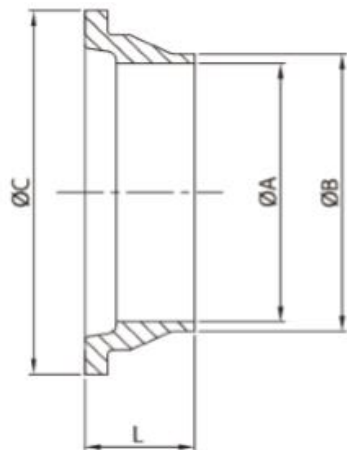


### RJT-15 WELDING MALE

SIZE	ØA	ØB	C	L
1/2"	9.6	13.7	21.2 *10TP WHIT	16.5
3/4"	16	20	27.6 *10TP WHIT	16.5
1"	22.1	25.4	45.72 *8TP WHIT	27
1.5"	34.8	38.1	58.42 *8TP WHIT	27
2"	47.5	50.8	72.72 *6TP WHIT	27
2.5"	60.2	63.5	85.42 *6TP WHIT	27
3"	72.9	76.2	98.12 *6TP WHIT	27
4"	97.6	101.6	123.52*6TP WHIT	27
104	100	104	123.52*6TP WHIT	27
6"	146.86	152.4	174.32*6TP WHIT	24



## RJT Liner

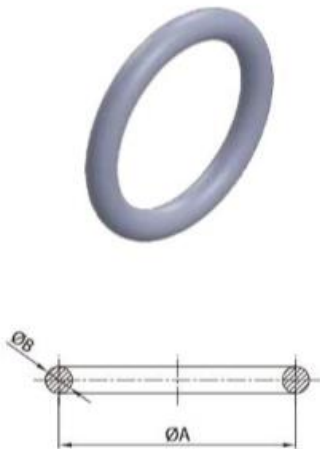


### RJT-14 WELDING LINER

SIZE	ØA	ØB	ØC	L
1/2"	9.6	14	18	11.4
3/4"	16	20	23.1	11.4
1"	22.1	25.4	41.3	19.5
1.5"	34.8	38.1	54	19.5
2"	47.5	50.8	66.7	19.5
2.5"	60.2	63.5	79.4	19.5
3"	72.9	76.2	92.1	19.5
4"	97.6	101.6	117.5	19.5
6"	146.86	152.4	169.1	23.5



## RJT Seal

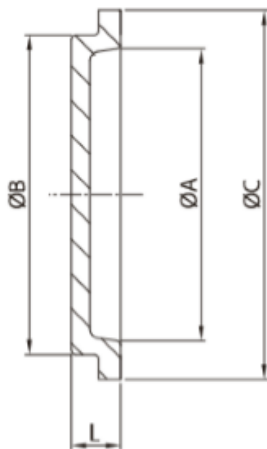


SIZE	ØA	ØB
1"	33.3	6.6
1.5"	46	6.6
2"	58.7	6.6
2.5"	71.4	6.6
3"	84.1	6.6
4"	109.5	6.6
6"	162.6	6.6

Telephone: (+44) 01384 424700  
Email: sales@processflow.co.uk



## RJT Blank



SIZE	ØA	ØB	ØC	L
1"	37.8	32.5	41.3	9
1.5"	40.5	45.2	54	9
2"	53.2	57.9	66.7	9
2.5"	65.9	70.6	79.4	9
3"	78.2	83.3	92.1	9
4"/104	104	108.7	117.5	9