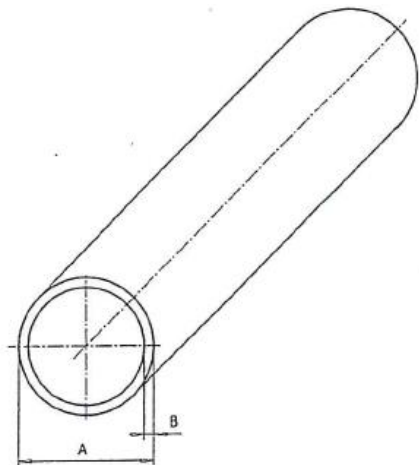




Exhaust Tube



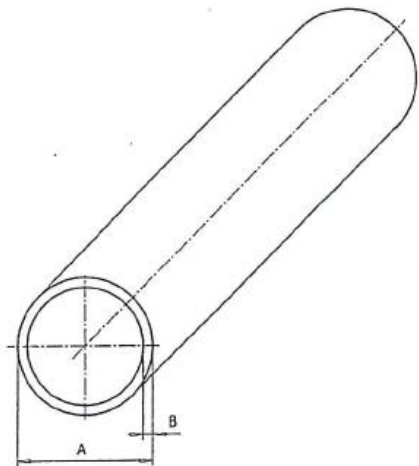
SIZE (A) (mm)	B (mm)	B (mm)	B (mm)	B (mm)
19.05	X	1.20	1.50	X
22.23	X	1.20	1.50	X
25.40	X	1.20	1.50	X
28.58	X	1.20	1.50	X
31.75	X	1.20	1.50	X
32.00	X	1.20	1.50	X
35.00	1.00	1.20	1.50	2.00
38.10	1.00	1.20	1.50	2.00
41.27	1.00	1.20	1.50	X
42.00	1.00	1.20	1.50	2.00
44.45	1.00	1.20	1.50	2.00
45.00	1.00	1.20	1.50	2.00

Telephone: (+44) 01384 424700

Email: sales@processflow.co.uk



Exhaust Tube



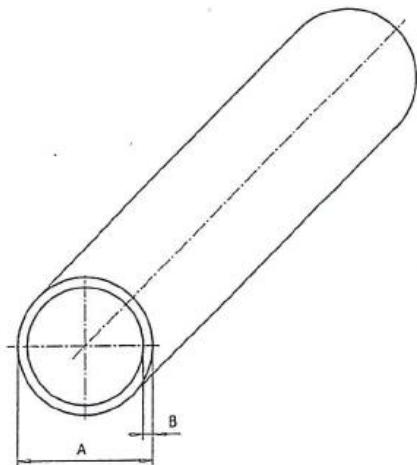
SIZE (A) (mm)	B (mm)	B (mm)	B (mm)	B (mm)
47.62	X	1.20	1.50	X
48.00	1.00	1.20	1.50	2.00
50.00	1.00	1.20	1.50	2.00
50.80	1.00	1.20	1.50	2.00
54.00	1.00	1.20	1.50	2.00
57.00	1.00	1.20	1.50	2.00
57.15	1.00	1.20	1.50	2.00
60.00	1.00	1.20	1.50	2.00
60.33	1.00	1.20	1.50	2.00
63.50	1.00	1.20	1.50	2.00
70.00	X	1.20	1.50	2.00
76.20	X	1.20	1.50	2.00

Telephone: (+44) 01384 424700

Email: sales@processflow.co.uk



Exhaust Tube



SIZE (A) (mm)	B (mm)	B (mm)	B (mm)	B (mm)
80.00	X	1.20	1.50	X
88.90	X	1.20	1.50	2.00
101.60	X	X	1.50	2.00
114.30	X	X	1.50	X
127.00	X	X	1.50	X