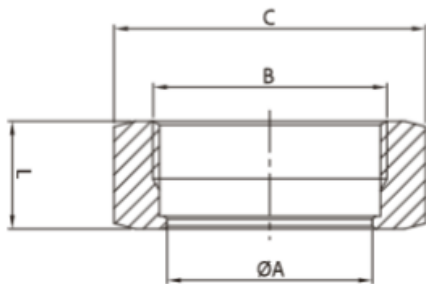
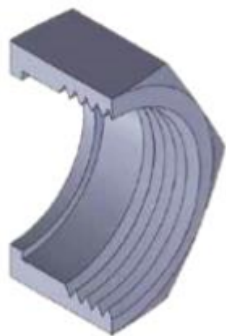




IDF Nut



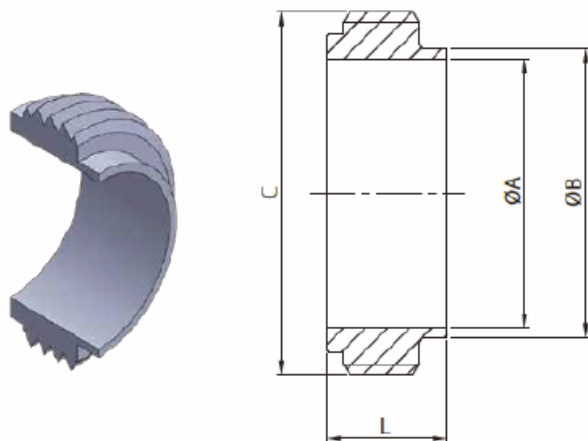
	SIZE	ØA	B	C	L
	1"	30.5	34.34*8T ACME	46	30
	1.5"	43.5	47.86*8T ACME	60	30
	2"	57	61.37*8T ACME	75	30
	2.5"	70.7	74.88*8T ACME	90	30
R	3"	83.3	84.4 *8T ACME	106	30
H	3"	83.3	84.4 *8T ACME	105	30
R	4"	112	115.41*8T ACME	135	34.9
H	4"	112	122.05*6T ACME	133	34.9

Telephone: (+44) 01384 424700

Email: sales@processflow.co.uk



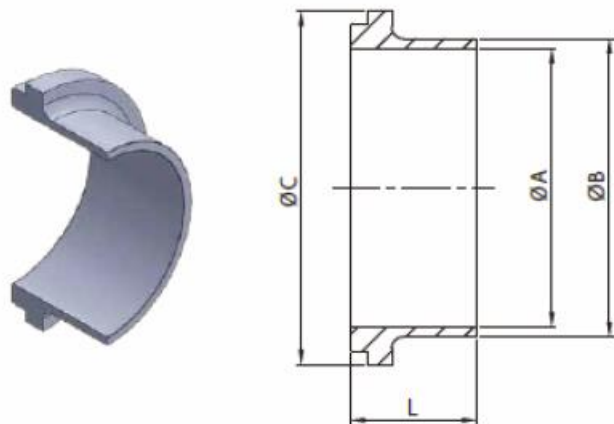
IDF Male



SIZE	IDF		JIS		C	L
	ØA	ØB	ØA	ØB		
1"	22.1	25.4	23	25.4	37.13*8T ACME	21.5
1.5"	34.8	38.1	35.7	38.1	50.65*8T ACME	21.5
2"	47.5	50.8	47.8	50.8	64.16*8T ACME	21.5
2.5"	60.2	63.5	59.5	63.5	77.76*8T ACME	21.5
3"	72.9	76.2	72.3	76.3	91.19*8T ACME	21.5
4"	97.6	101.6	—	—	118.2*8T ACME	30



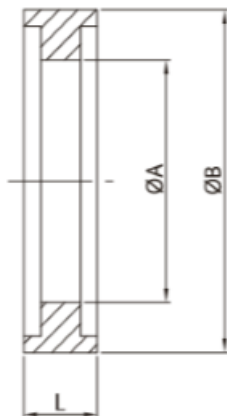
IDF Liner



SIZE	IDF		JIS		ØC	L
	ØA	ØB	ØA	ØB		
1"	22.6	25.6	23	25.4	33.8	21.5
1.5"	35.6	38.6	35.7	38.1	47	21.5
2"	48.6	51.6	47.8	50.8	60.5	21.5
2.5"	60.3	64.1	59.5	63.5	74	21.5
3"	72.9	76.7	72.3	76.3	87.5	21.5
4"	97.6	101.6	—	—	114.1	30



IDF Seal



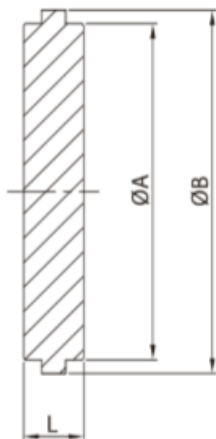
SIZE	ØA	ØB	L
1"	23	32.5	7
1.5"	36	46	7
2"	49	59.5	7
2.5"	60.7	73.2	7
3"	73.2	86.5	7
R 4"	98	113	7
H 4"	98	119.6	7

Telephone: (+44) 01384 424700

Email: sales@processflow.co.uk



IDF Blank



	SIZE	ØA	ØB	L
	1"	29.2	33.8	10.5
	1.5"	42.7	47	10.5
	2"	56.2	60.5	10.5
	2.5"	69.9	74	10.5
	3"	82.6	87.5	10.5
R	4"	111.1	114.1	12.6
H	4"	111.1	120.6	12.6