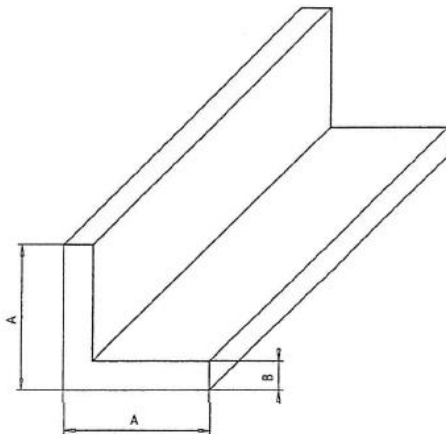




## Equal Angle Bar



SIZE A (mm)	SIZE B (mm)	SIZE B (mm)	SIZE B (mm)	SIZE B (mm)
20 x 20	3			
25 x 25	3		5	
30 x 30	3		5	
40 x 40	3	4	5	6
50 x 50	3		5	6
75 x 75				6
80 x 80				6
100 x 100				6