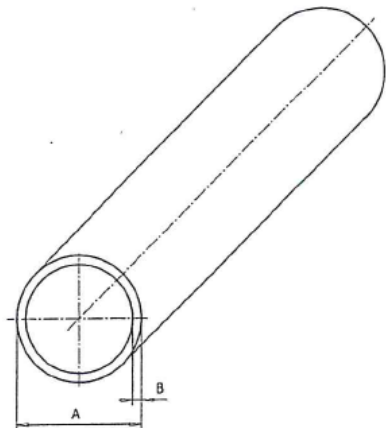




Process Flow Components Ltd

Data Sheet

Metric Tube



SIZE (mm)	A	B
18	18	1.5
23	23	1.5
28	28	1.5
35	35	1.5
43	43	1.5
53	53	1.5
54	54	2.0
70	70	2.0
83	83	1.5
84	84	2.0
103	103	1.5
104	104	2.0
129	129	2.0
154	154	2.0
204	204	2.0
254	254	2.0

Telephone: (+44) 01384 424700

Email: sales@processflow.co.uk