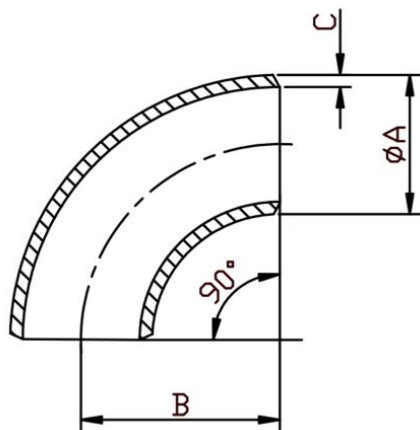




## Nominal Bore 90 Degree Bend (Short Radius) – Schedule 40



SIZE	A	B	C
1"	33.4	25.4	3.38
1 ¼"	42.1	31.8	3.56
1 ½"	48.1	38.1	3.68
2"	60.3	50.8	3.91
2 ½"	73.0	63.5	5.16
3"	88.9	76.2	5.49
4"	114.3	101.6	6.02
5"	141.3	127.0	6.55
6"	168.3	152.4	7.11