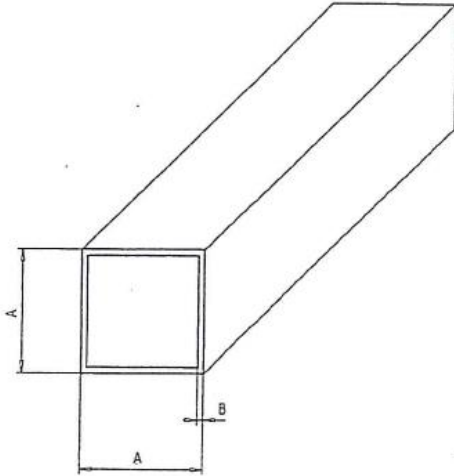




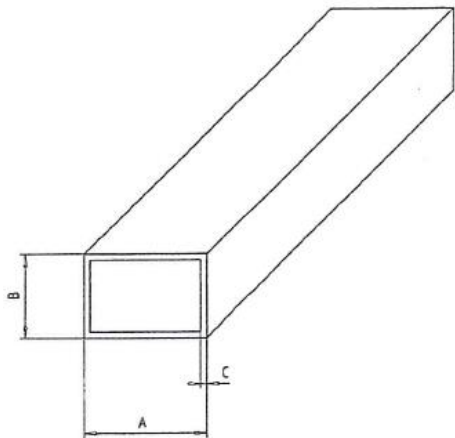
Box Section - Square



SIZE A (mm)	B (mm)	B (mm)	B (mm)	B (mm)	B (mm)	B (mm)	B (mm)	B (mm)	B (mm)	B (mm)	B (mm)
20 x 20	1.0	1.2	1.5	2.0							
25 x 25	1.0	1.2	1.5	2.0	2.5						
30 x 30	1.0	1.2	1.5	2.0	2.5	3.0					
35 x 35	1.0			2.0		3.0					
40 x 40		1.2	1.5	2.0	2.5	3.0	4.0				
45 x 45			1.5	2.0		3.0					
50 x 50			1.5	2.0	2.5	3.0	4.0	5.0			
60 x 60			1.5	2.0	2.5	3.0	4.0	5.0			
70 x 70				2.0		3.0	4.0	5.0			
80 x 80				2.0		3.0	4.0	5.0	6.0		
100 x 100				2.0		3.0	4.0	5.0	6.0		10.0
120 x 120						3.0	4.0	5.0	6.0	8.0	
150 x 150						3.0	4.0	5.0	6.0	8.0	10.0



Box Section - Rectangle



SIZE A x B (mm)	C (mm)	C (mm)	C (mm)	C (mm)	C (mm)	C (mm)	C (mm)	C (mm)
40 x 20	1.2	1.5	2.0		3.0			
40 x 30		1.5	2.0		3.0			
50 x 20		1.5	2.0					
50 x 25		1.5	2.0		3.0			
50 x 40			2.0		3.0			
60 x 30		1.5	2.0		3.0			
60 x 40		1.5	2.0	2.5	3.0	4.0		
80 x 40			2.0		3.0	4.0	5.0	
80 x 60			2.0		3.0	4.0	5.0	
100 x 50			2.0		3.0	4.0	5.0	6.0
100 x 80			2.0		3.0	4.0		

Telephone: (+44) 01384 424700

Email: sales@processflow.co.uk