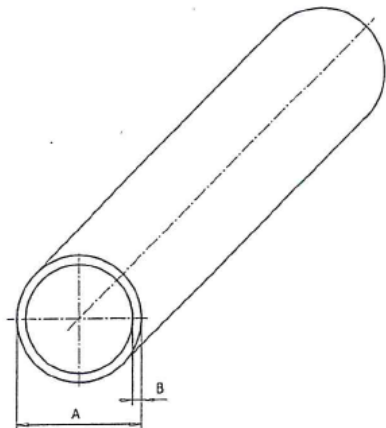




DIN – Series 2



SIZE (DIN)	A	B
15	18	1.5
20	23	1.5
25	29	1.5
40	41	1.5
50	53	1.5
65	70	2.0
80	85	2.0
100	104	2.0
125	129	2.0
150	154	2.0