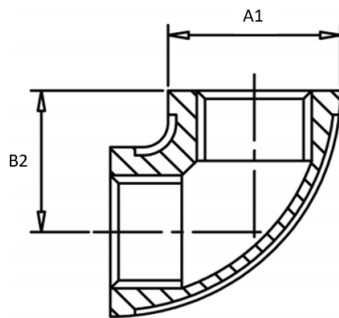




## BSP 90 DEGREE BEND



SIZE	A1	B2
1/8"	13.5	14
1/4"	17	19
3/8"	21.5	21
1/2"	25.5	25.5
3/4"	31.3	28
1"	38.7	33
1.25"	48	40
1.5"	53.7	43
2"	66.7	52
2.5"	84	61
3"	98	71
4"	124	89

Telephone: (+44) 01384 424700

Email: [sales@processflow.co.uk](mailto:sales@processflow.co.uk)