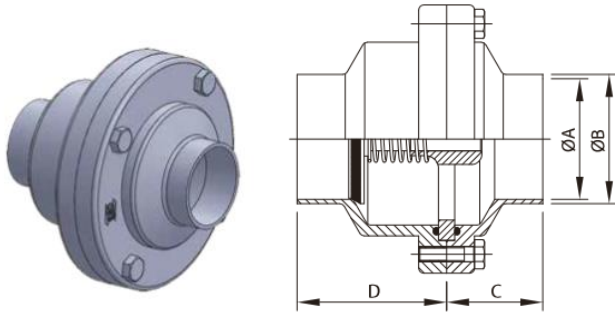




Non Return Valve (Check Valve)



3A/BS	ØA	ØB	C	D
1/2"	9.4	12.7	23	34
3/4"	15.8	19.05	23	34
1"	22.1	25.4	34	48
1.5"	34.8	38.1	36	48
2"	47.5	50.8	36	48
2.5"	60.2	63.5	36	48
3"	72.9	76.2	36	48
4"	97.6	101.6	47	54