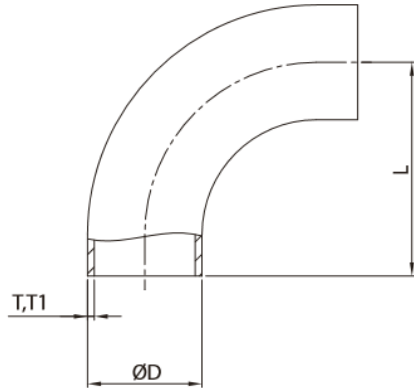




90 Degree Long Bend 1XD



SIZE	ØD	L	T	T1
DN25	25	55	1.25	1.5
DN38	38	70	1.25	1.5
DN50	51	82	1.25	1.5
DN63	63.5	105	1.5	1.5
DN76	76.1	110	1.6	2
DN100	101.6	150	2	2
	104	150	2	2